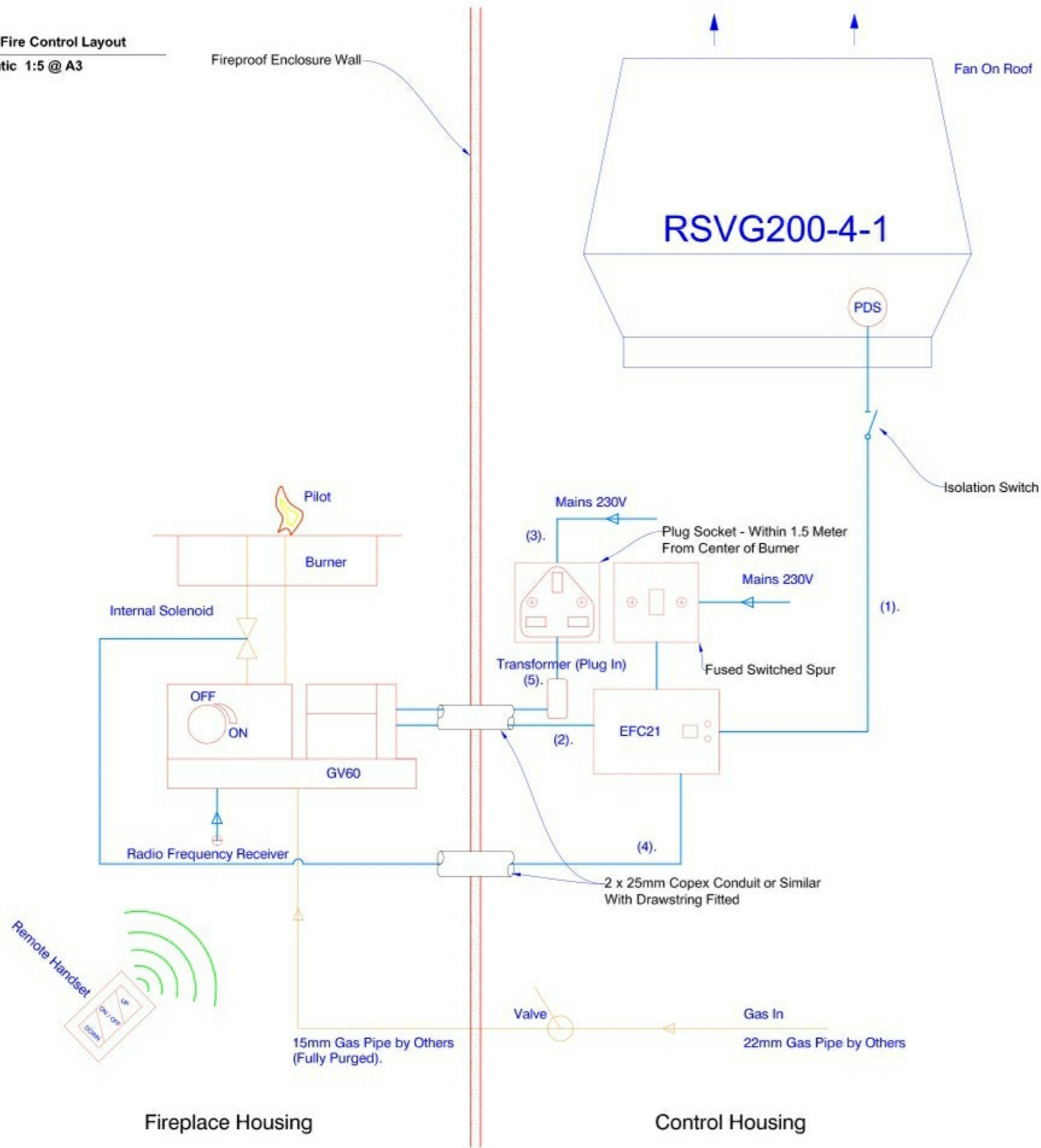
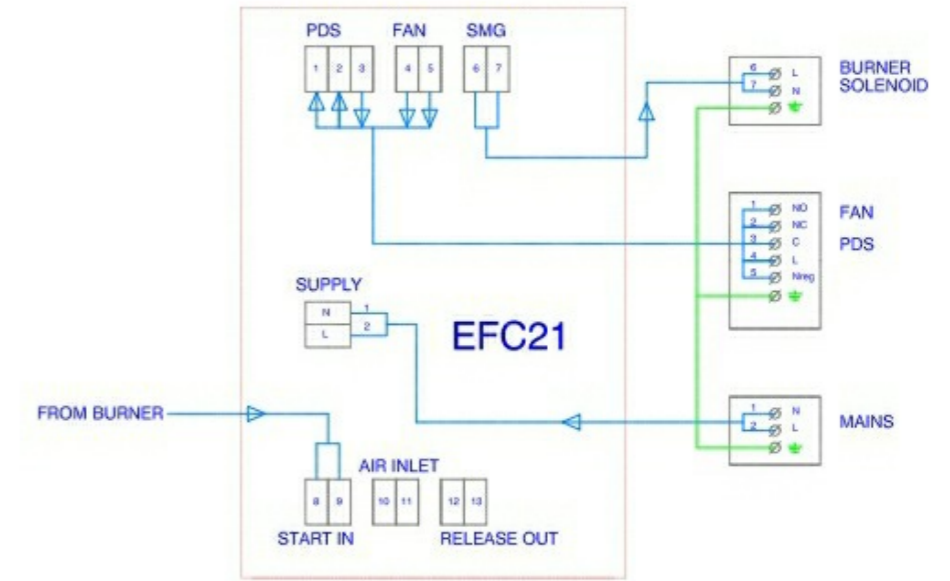


Typical Fire Control Layout
Schematic 1:5 @ A3



2 EFC21 Control Wiring Diagram
Schematic 1:5 @ A3



Cable Key:

- (1). 7 core cable from fan to EFC21 control.
- (2). CAT 5 cable (or 2 core) from GV60 burner control to EFC21 - (in conduit between hearth & control housing).
- (3). Mains power - 230V 50Hz dedicated fused switched spur and plug socket located in control housing.
- (4). Twin & earth to burner gas release solenoid - (in conduit between hearth & control housing).
- (5). Transformer plug socket located within 1.5 meters maximum of center of fire burner - (in conduit between hearth & control housing).